

# Elite 6W-RC



## 6 1/2" 165 W-RC woofer



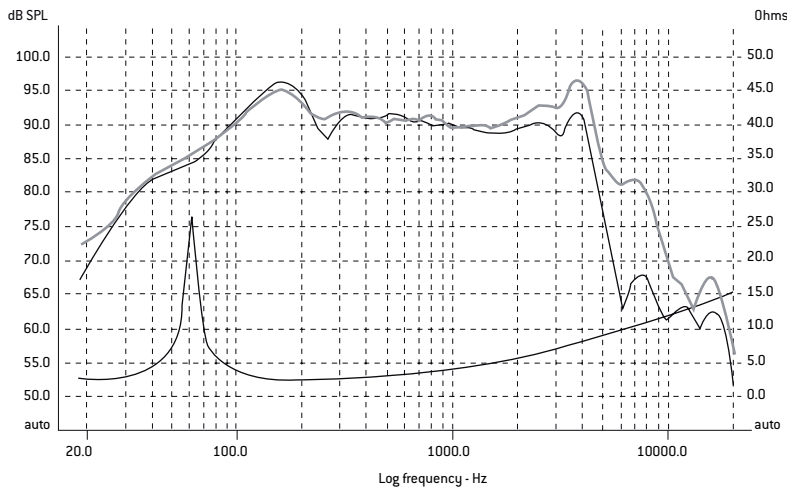
- High power handling
- Aluminum basket
- W composite sandwich cone

### SPECIFICATIONS

|                |         |
|----------------|---------|
| Nominal power  | 80W     |
| Maximum power  | 160W    |
| Sensitivity    | 93dB    |
| Cone           | W       |
| Surround       | Butyl   |
| Nom. impedance | 2Ohm    |
| DC resistance  | 1.7Ohm  |
| VC diameter    | 32mm    |
| VC height      | 15mm    |
| Former         | Kapton® |
| Layers         | 2       |
| Wire           | Copper  |
| Inductance     | 0.11 mH |
| Xmax           | 5.5     |
| Magnet dxh     | 90x17   |
| Magnet weight  | 1550g   |
| Flux density   | 1 T     |
| Gap height     | 6 mm    |
| Net weight     | 1800 g  |

### FREQUENCY RESPONSE / IMPEDANCE

On axis, 0° and 30° off axis frequency response

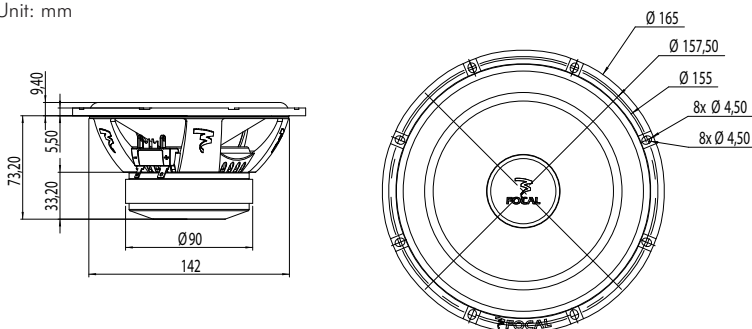


### PARAMETERS

|     |                           |
|-----|---------------------------|
| Fs  | 60,85 Hz                  |
| Vas | 3.68 liters               |
| Qts | 0.56                      |
| Qes | 0.6                       |
| Qms | 10.43                     |
| Re  | 1.7Ohm                    |
| Sd  | 132.73cm <sup>2</sup>     |
| Cas | 6.89E-08m <sup>5</sup> /N |
| Mas | 99,27Kg/m <sup>4</sup>    |
| Ras | 3639.09Ohm, ac            |
| Cms | 3.91E-04m/N               |
| Mms | 17.49g                    |
| Rms | 0.641Kg/s                 |
| Ces | 923.13mF                  |
| Les | 7.41mH                    |
| Res | 29.55Ohm                  |
| BI  | 4.35N/A                   |
| SPL | 87.45 dB/W/m              |

### MECHANICAL DRAWING

Unit: mm



| Load   | V (l) | F-3 (Hz) |
|--------|-------|----------|
| Sealed | 30    | 75       |