

# K2 POWER ES 165 KX3

Woofer 6<sup>1</sup>/<sub>2</sub>"

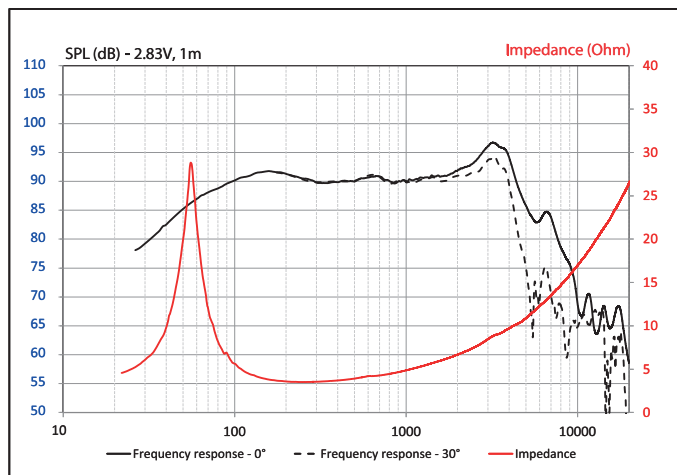


- K2 Power sandwich cone
- "TMD" surround (patented technology)
- Aluminum basket

## SPECIFICATIONS

Nominal power	120W
Maximum power	240W
Sensitivity (2,83V/1m)	92dB
Cone	Kevlar sandwich
Nom. impedance	4Ω
Surround	Butyl
DC resistance	3.2Ω
VC diameter	40mm 1 <sup>37</sup> / <sub>64</sub> "
Former	Kapton
Layers	2
Wire	CCWA
Magnet (d x h)	100x22mm 3 <sup>15</sup> / <sub>16</sub> x0 <sup>55</sup> / <sub>64</sub> "
Net weight	1750g 3.85lbs

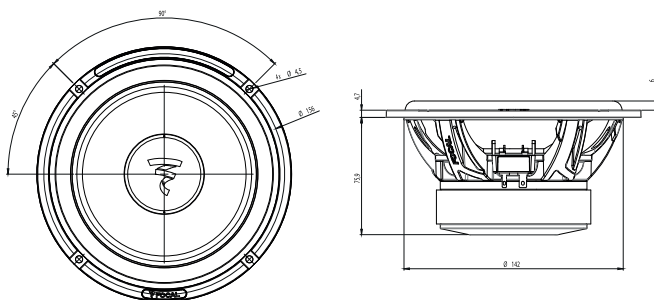
## FREQUENCY RESPONSE/IMPEDANCE



## PARAMETERS

Rdc	3.2 Ω
Fs	54Hz
Mms	16.5g
Cms	0.53mm/N
Vas	13l
Qts	0.48
Qes	0.53
Qms	5
Bxl	5.8 N/A
Sd	128.6cm <sup>2</sup>
SPL	89dB
Xmax	5.3mm

## MECHANICAL DRAWING



 **Elite**  
"HAUTE COUTURE" SOUND

 **FOCAL**<sup>®</sup>  
THE SPIRIT OF SOUND